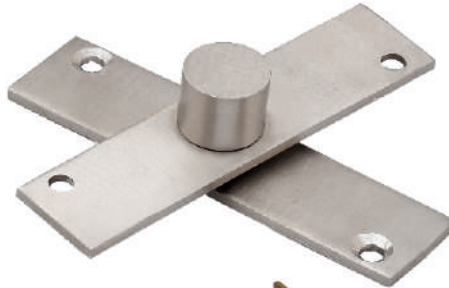




MILLENNIUM[®]

5.S. & Alluminium Hardware Products



MTS Steel Creation takes pride in the inception for more than 10 years, dealing in S.S. hardware fittings. Having mastered in retaining satisfactory customers & improving on infrastructure today we stand committed as a major player in the S.S. hardware fitting manufacturing industry with its registered brand

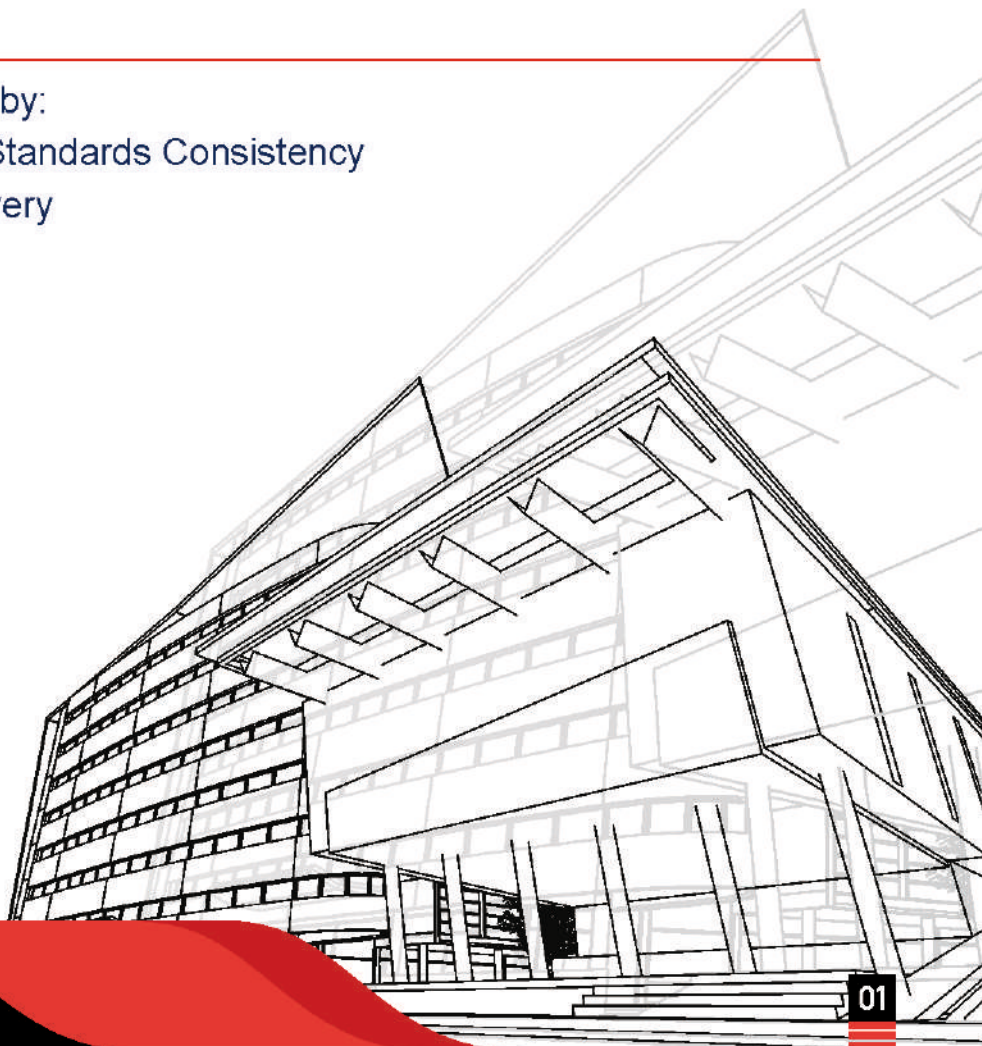
QUALITY POLICY

Our Products are the builders & architectural hardware because of elegant design including the feature like strength smooth functioning and feel having different finishes like S.S., Antique, Stain Brass & Rose Gold. We have permanently motivated team of highly qualified people, working with the sense of the spirit of customers satisfaction. At present we have extensive network of many dealers in India

COMMITMENT

Total Customer Satisfaction by:

- Quality of International Standards Consistency
- Prompt and Timely Delivery
- Accurate Pricing



HINGES.....	03 TO 07
TOWERBOLT	08 TO 12
CABINAT & DOOR HANDLE	13 TO 18
WINDOW FITTINGS.....	19 TO 25
GLASS FITTINGS	26 TO 31
ALUMINIUM FITTINGS.....	32 TO 38



Brass Gold

Brass Antique

Rose Gold

Matt Black

MILLENNIUM[®]

S.S. HINGES





BUTT FLAT HINGES 1.5mm

(RATE PER PCS.)

Code	Size in Inch	Size in mm.	Mat	BA, GPT	Rose Gold	Mat Black	Pcs. Box	Box Crtn
MLSB010	3 x 3/8 x 5/8	100 x 25 x 25	48	55	57	63	40	24
MLSB011	3 x 1/2 x 3/4	100 x 19 x 25	54	62	64	71	40	24
MLSB012	3 x 3/4 x 3/4	100 x 19 x 19	60	69	72	78	40	24
MLSB013	3 x 16	100 x 12 x 19	66	78	80	89	36	20
MLSB014	4 x 3/8 x 5/8	100 x 10 x 15	64	74	76	84	32	24
MLSB015	4 x 1/2 x 3/4	75 x 22 x 22	71	84	87	95	32	24
MLSB016	4 x 3/4 x 3/4	75 x 19 x 19	81	96	99	109	32	24
MLSB017	4 x 3/4 x 1	75 x 12 x 19	101	116	120	131	32	20
MLSB018	4 x 1 x 1	75 x 10 x 15	119	137	141	155	32	20



BUTT FLAT HINGES 1.8mm

(RATE PER PCS.)

Code	Size in Inch	Size in mm.	Mat	BA, GPT	Rose Gold	Mat Black	Pcs. Box	Box Crtn
MLSB020	3 x 1/2 x 3/4	75 x 12 x 19	64	74	76	84	40	20
MLSB021	3 x 3/4 x 3/4	75 x 19 x 19	77	89	92	100	40	20
MLSB022	4 x 1/2 x 3/4	100 x 12 x 19	94	107	110	120	32	20
MLSB023	4 x 3/4 x 3/4	100 x 19 x 19	102	116	120	131	32	20
MLSB024	3x14x1.8mm	75 x 25 x 25	78	91	94	103	24	20
MLSB025	4x14x1.8mm	100 x 25 x 25	128	151	157	174	18	20
MLSB026	5x14x1.8mm	125 x 25 x 25	155	185	192	214	14	20



BUTT FLAT HINGES 2.5mm

(RATE PER PCS.)

Code	Size in Inch	Size in mm.	Mat	BA, GPT	Rose Gold	Mat Black	Pcs. Box	Box Crtn
MLSB030	3x12x2.5mm	75 x 27 x 27	109	122	126	139	24	20
MLSB031	4x12x2.5mm	100 x 27 x 27	149	176	183	205	15	20
MLSB032	5x12x2.5mm	125 x 27 x 27	185	214	223	250	12	20
MLSB033	6x12x2.5mm	150 x 27 x 27	256	294	305	341	10	20
MLSB034	4x1.1/4x5/32	100 x 31 x 31	208	244	253	281	12	20
MLSB035	4x1.1/2x5/32	100 x 37 x 37	231	272	282	312	12	20
MLSB036	5x1.1/4x5/32	125 x 31 x 31	253	299	310	345	12	20
MLSB037	5x1.1/2x5/32	125 x 37 x 37	286	336	348	385	12	20
MLSB038	6x1.1/4x5/32	150 x 31 x 31	304	358	371	412	6	20
MLSB039	6x1.1/2x5/32	150 x 37 x 37	348	408	423	469	6	20



BUTT FLAT HINGES 3mm

(RATE PER PCS.)

Code	Size in Inch	Size in mm.	Mat	BA, GPT	Rose Gold	Mat Black	Pcs. Box	Box Crtn
MLS8040	4x10	100 x 31 x 31	249	295	307	341	12	16
MLS8041	5x10	125 x 31 x 31	288	335	348	388	8	20
MLS8042	6x10	150 x 31 x 31	393	462	479	531	6	20
MLS8045	5x1.1/2x3/16	125 x 37 x 37	453	521	538	589	6	20
MLS8047	6x1.1/2x3/16	150 x 37 x 37	532	612	632	693	6	20
MLS8048	8x1.1/2x3/16	200 x 37 x 37	719	828	855	937	4	20



BUTT FLAT HINGES 4mm

(RATE PER PCS.)

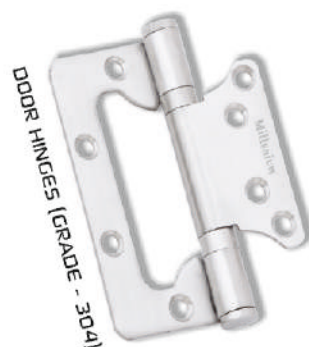
Code	Size in mm.	Mat	BA, GPT	Rose Gold	Mat Black	Pcs. Box	Box Crtn
MLS8050	5x1.1/4x4mm	1109	1181	1199	1253	4	20
MLS8051	5x1.1/2x4mm	1236	1316	1336	1396	4	20
MLS8052	5x2x4mm	1588	1691	1717	1793	4	20
MLS8053	6x1.1/4x4mm	1331	1417	1439	1503	4	20
MLS8054	6x1.1/2x4mm	1486	1582	1606	1677	4	20
MLS8055	6x2x4mm	1909	2032	2063	2155	4	20
MLS8056	8x1.1/4x4mm	1832	1950	1980	2069	4	20
MLS8057	8x1.1/2x4mm	2061	2194	2228	2327	4	20
MLS8058	8x2x4mm	2706	2881	2925	3056	4	20
MLS8059	10x1.1/4x4mm	2416	2571	2610	2727	3	20
MLS805A	10x1.1/2x4mm	2722	2898	2942	3073	3	20
MLS805B	10x2x4mm	3351	3567	3621	3783	3	20
MLS805C	12x1.1/4x4mm	2922	3111	3158	3300	2	20
MLS805D	12x1.1/2x4mm	3270	3481	3534	3692	2	20
MLS805E	12x2x4mm	4058	4320	4386	4582	2	20



BEARING FLAT HINGES (2 BEARING)

(RATE PER PCS.)

Code	Size in mm.	Mat	BA, GPT	Rose Gold	Mat Black	Pcs. Box	Box Crtn
MLS8060	4" x 3 x 3mm	419	467	479	515	6	20
MLS8061	5" x 3 x 3mm	453	512	527	572	6	20
MLS8062	6" x 3 x 3mm	517	588	606	659	6	20



DOOR HINGES (GRADE - 304)

(RATE PER PCS.)

Code	Size in Inch	Size in mm.	Mat	BA, GPT	Rose Gold	Mat Black	Pcs. Box	Box Crtn
MLS8070	4x1x1.1/2x2.5mm	100 x 25 x37	471	493	501	527	10	20
MLS8071	5x1x1.1/2x2.5mm	125 x 25 x37	622	649	660	693	10	20
MLS8072	4x1x1.1/2x3mm	100 x 25 x37	728	754	765	797	10	20
MLS8073	5x1x1.1/2x3mm	125 x 25 x37	893	926	939	979	10	20

PARLIAMENT HINGES

(RATE PER PCS.)



PARLIAMENT HINGES

Code	Size in mm.	Laquer	BA, GPT	Rose Gold	Mat Black	Pcs. Box	Box Crtn
MLSB080	4 x 2 x 2.5mm.	339	366	377	409	5	24
MLSB081	4 x 3 x 2.5mm.	371	402	414	450	5	24
MLSB082	4 x 4 x 2.5mm.	416	450	464	505	5	24
MLSB083	4 x 5 x 2.5mm.	460	499	514	561	5	24
MLSB084	5 x 4 x 3mm.	768	818	837	896	5	20
MLSB085	5 x 5 x 3mm.	919	973	995	1060	5	20
MLSB086	5 x 6 x 3mm.	1001	1061	1085	1156	5	20
MLSB087	5 x 8 x 3mm.	1088	1153	1178	1256	5	15

'L' HINGES 1.5mm

(RATE PER PCS.)



'L' HINGES 1.5mm

Code	Size in Inch	Size in mm.	Mat	Pcs. Box	Box Crtn
MLSB090	3 x 3/8 x 6mm	75 x 10 x 6mm	65	24	25
MLSB091	3 x 3/8 x 12mm	75 x 10 x 12mm	70	24	25
MLSB092	3 x 3/8 x 19mm	75 x 10 x 19mm	76	24	25
MLSB093	3 x 1/2 x 6mm	75 x 12 x 6mm	69	24	25
MLSB094	3 x 1/2 x 12mm	75 x 12 x 12mm	75	24	25
MLSB095	3 x 1/2 x 19mm	75 x 12 x 19mm	81	24	25
MLSB096	3 x 3/4 x 6mm	75 x 19 x 6mm	89	24	25
MLSB097	3 x 3/4 x 12mm	75 x 19 x 12mm	94	24	25
MLSB098	3 x 3/4 x 19mm	75 x 19 x 19mm	100	24	25
MLSB099	4 x 3/8 x 6mm	100 x 10 x 6mm	96	24	18
MLSB09A	4 x 3/8 x 12mm	100 x 10 x 12mm	105	24	18
MLSB09B	4 x 3/8 x 19mm	100 x 10 x 19mm	113	24	18
MLSB09C	4 x 1/2 x 6mm	100 x 12 x 6mm	102	24	18
MLSB09D	4 x 1/2 x 12mm	100 x 12 x 12mm	111	24	18
MLSB09E	4 x 1/2 x 19mm	100 x 12 x 19mm	120	24	18
MLSB09F	4 x 3/4 x 6mm	100 x 19 x 6mm	123	24	18
MLSB09G	4 x 3/4 x 12mm	100 x 19 x 12mm	131	24	18
MLSB09H	4 x 3/4 x 19mm	100 x 19 x 19mm	138	24	18



L Lock Hinges 1.5mm

L Lock Hinges 1.5mm

(RATE PER PCS.)

Code	Size in Inch	Size in mm.	Mat	Pcs. Box	Box Crtn
MLSB100	3 x 3/8 x 6mm	75 x 10 x 6mm	75	24	25
MLSB101	3 x 3/8 x 12mm	75 x 10 x 12mm	81	24	25
MLSB102	3 x 3/8 x 19mm	75 x 10 x 19mm	88	24	25
MLSB103	3 x 1/2 x 6mm	75 x 12 x 6mm	80	24	25
MLSB104	3 x 1/2 x 12mm	75 x 12 x 12mm	87	24	25
MLSB105	3 x 1/2 x 19mm	75 x 12 x 19mm	94	24	25



'W' HINGES 1.8mm

'W' HINGES 1.8mm (RATE PER PCS.)

Code	Size in Inch	Size in mm.	Mat	Pcs. Box	Box Crtn
MLSB110	2"	50mm	113	15	32
MLSB111	3"	75mm	148	12	30



2 IN 1 HINGES 1.8mm

2 IN 1 HINGES 1.8mm (RATE PER PCS.)

Code	Size in Inch	Size in mm.	Mat	Pcs. Box	Box Crtn
MLSB120	3 x 3/8 x 6mm	75 x 10 x 6mm	141	12	30
MLSB121	3 x 3/8 x 12mm	75 x 10 x 12mm	148	12	30
MLSB122	3 x 3/8 x 19mm	75 x 10 x 19mm	155	12	30
MLSB123	3 x 1/2 x 6mm	75 x 12 x 6mm	141	12	30
MLSB124	3 x 1/2 x 12mm	75 x 12 x 12mm	148	12	30
MLSB125	3 x 1/2 x 19mm	75 x 12 x 19mm	155	12	30
MLSB126	3 x 3/4 x 6mm	75 x 19 x 6mm	164	12	30
MLSB127	3 x 3/4 x 12mm	75 x 19 x 12mm	171	12	30
MLSB128	3 x 3/4 x 19mm	75 x 19 x 19mm	179	12	30



Tee HINGES 1.8mm

Tee HINGES 1.8mm (RATE PER PCS.)

Code	Size in Inch	Glossy	Pcs. Box	Box Crtn
MLSB130	5" x 16 (1.5mm)	91	20	15
MLSB131	6" x 14 (2mm)	212	10	15
MLSB132	8" x 14 (2mm)	235	10	15
MLSB133	10" x 14 (2mm)	259	10	12
MLSB134	12" x 14 (2mm)	286	10	10
MLSB135	14" x 14 (2mm)	314	10	10



DUCK HINGES 1.8mm

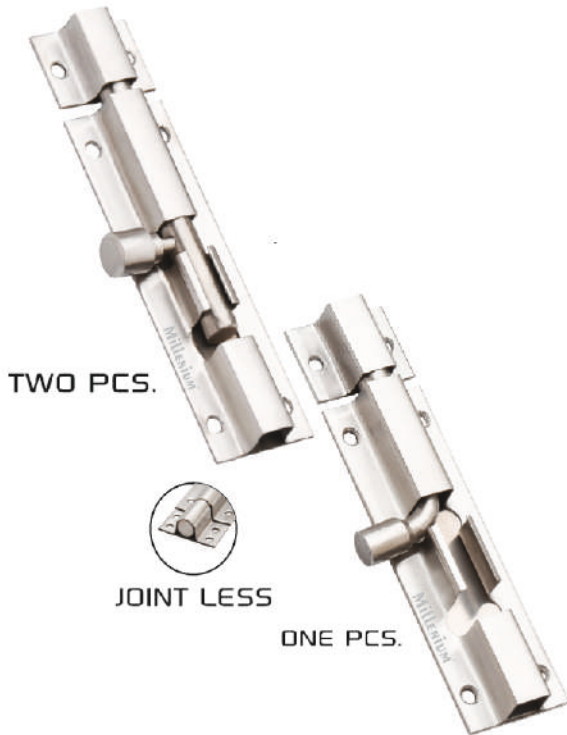
DUCK HINGES 1.8mm (RATE PER PCS.)

Code	Size in mm (Half & Full)	Laquer	Pcs. Box	Box Crtn
MLSB140	3" x 19mm x 19mm	268	12	20
MLSB141	3" x 19mm x 25mm	268	6	40
MLSB142	3" x 25mm x 19mm	310	6	40
MLSB143	3" x 25mm x 25mm	310	6	40

Millenium[®]

S.S. Tower Bolts



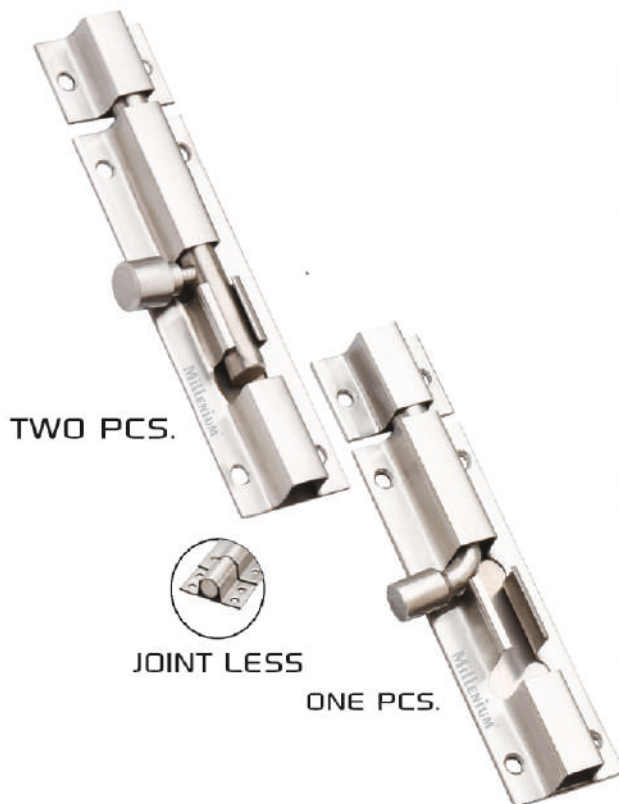


SQUARE PIPE TWO Pcs. (9.5mm ROD) (RATE PER PCS.)

Code	Size in Inch	Mat	BA, GPT	Rose Gold	Mat Black	Pcs. Box	Box Crtn
MLST010	3"	99	120	124	138	24	20
MLST011	4"	106	131	137	153	20	20
MLST012	6"	162	199	207	232	15	20
MLST013	8"	215	266	278	312	12	15
MLST014	10"	271	337	352	396	12	12
MLST015	12"	320	400	418	471	12	10

SQUARE PIPE ONE Pcs. (9.5mm ROD) (RATE PER PCS.)

Code	Size in Inch	Mat	BA, GPT	Rose Gold	Mat Black	Pcs. Box	Box Crtn
MLST020	4"	97	120	125	140	20	20
MLST021	6"	145	181	189	212	15	20
MLST022	8"	200	250	261	294	12	15
MLST023	10"	259	323	337	380	12	12
MLST024	12"	310	388	405	457	12	10

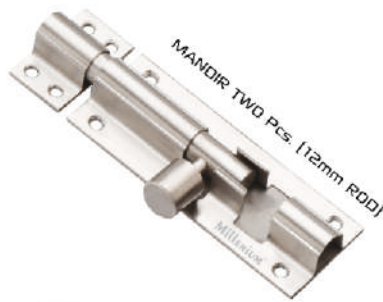


SQUARE PIPE TWO Pcs. (12mm ROD) (RATE PER PCS.)

Code	Size in Inch	Mat	BA, GPT	Rose Gold	Mat Black	Pcs. Box	Box Crtn
MLST030	4"	177	205	211	230	15	20
MLST031	6"	230	268	277	302	12	20
MLST032	8"	300	352	364	398	12	15
MLST033	10"	391	458	473	517	12	12
MLST034	12"	468	547	565	618	12	10

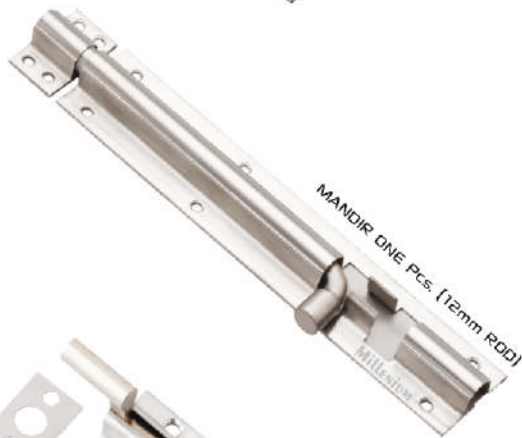
SQUARE PIPE ONE Pcs. (12mm ROD) (RATE PER PCS.)

Code	Size in Inch	Mat	BA, GPT	Rose Gold	Mat Black	Pcs. Box	Box Crtn
MLST040	4"	163	188	194	211	15	20
MLST041	6"	221	257	265	289	12	20
MLST042	8"	291	341	352	385	12	15
MLST043	10"	377	441	456	499	12	12
MLST044	12"	453	531	548	599	12	10



MANDIR TWO Pcs. (12mm ROD) [RATE PER PCS.]

Code	Size in Inch	Mat	BA, GPT	Rose Gold	Mat Black	Pcs. Box	Box Crtn
MLST050	4"	167	171	177	195	15	20
MLST051	6"	221	238	247	272	12	20
MLST052	8"	291	320	331	366	12	15
MLST053	10"	372	412	427	472	12	12
MLST054	12"	444	495	512	565	12	10



MANDIR ONE Pcs. (12mm ROD) [RATE PER PCS.]

Code	Size in Inch	Mat	BA, GPT	Rose Gold	Mat Black	Pcs. Box	Box Crtn
MLST060	4"	153	163	169	186	15	20
MLST061	6"	207	229	237	262	12	20
MLST062	8"	277	308	320	353	12	15
MLST063	10"	358	398	413	456	12	12
MLST064	12"	429	478	495	547	12	10



MARBEL T.BOLT. (9mm ROD) [RATE PER PCS.]

Code	Size in Inch	Mat	BA, GPT	Rose Gold	Mat Black	Pcs. Box	Box Crtn
MLST070	4"	120	138	142	153	20	20
MLST071	6"	180	207	213	230	15	20
MLST072	8"	248	285	293	317	12	15
MLST073	10"	320	368	378	410	12	12
MLST074	12"	384	441	453	491	12	10



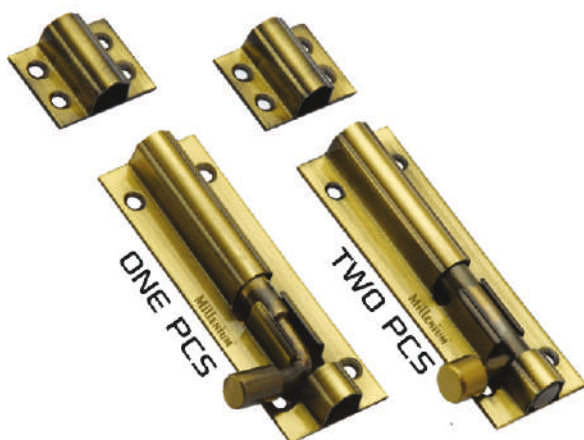
SQUARE CONCEAL T.BOLT (9mm ROD) [RATE PER PCS.]

Code	Size in Inch	Mat	BA, GPT	Rose Gold	Mat Black	Pcs. Box	Box Crtn
MLST080	4"	217	250	199	220	15	20
MLST081	6"	315	360	295	323	12	20
MLST082	8"	420	570	511	610	12	15
MLST083	10"	571	649	510	558	12	12
MLST084	12"	686	777	611	667	12	10



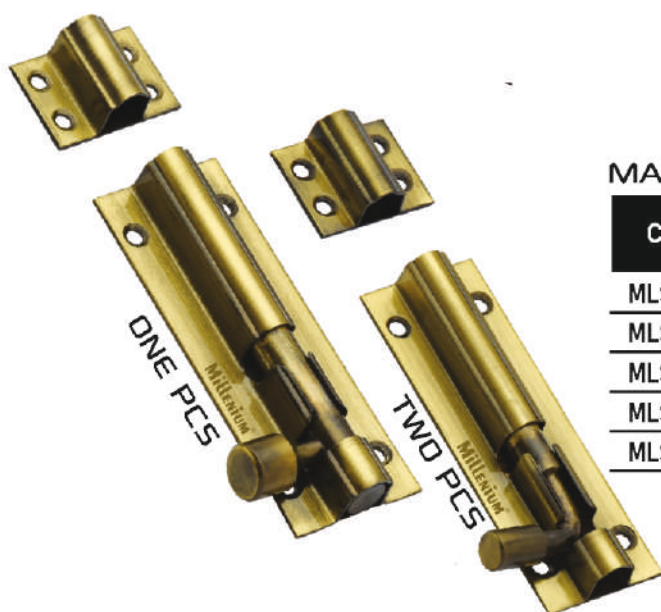
BABY LATCH [RATE PER PCS.]

Code	Size in Inch	10mm	12mm	Pcs. Box	Box Crtn
MLST090	3"	124	172	20	20
MLST091	4"	158	192	15	20



MANDIR ONE PCS/TWO PCS (10mm ROD) (RATE PER PCS.)

Code	Size in Inch	Mat	BA, GPT	Rose Gold	Mat Black	Pcs. Box	Box Crtn
MLSPT11	4"	217	244	278	331	15	20
MLSPT12	6"	303	342	389	461	12	20
MLSPT13	8"	406	458	522	620	12	15
MLSPT14	10"	525	591	673	799	12	12
MLSPT15	12"	630	710	809	961	12	10



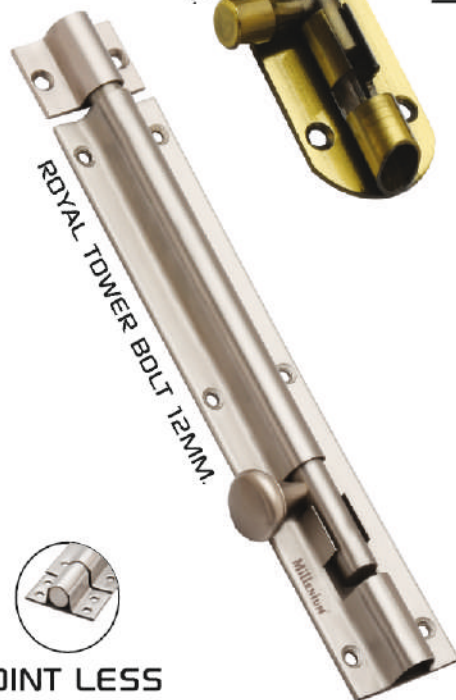
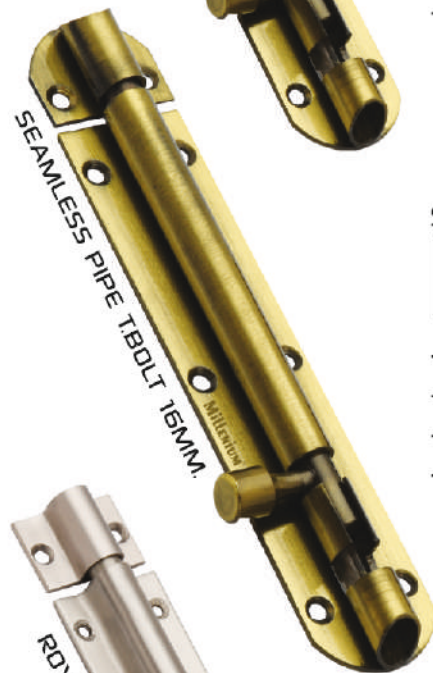
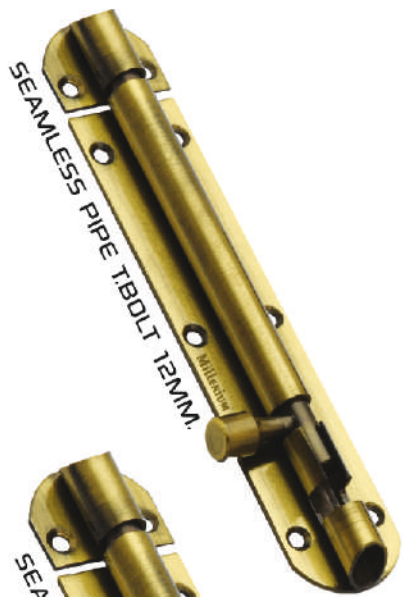
MANDIR ONE PCS/TWO PCS (12mm ROD) (RATE PER PCS.)

Code	Size in Inch	Mat	BA, GPT	Rose Gold	Mat Black	Pcs. Box	Box Crtn
MLSPT21	4"	241	277	320	387	12	20
MLSPT22	6"	338	388	448	542	10	20
MLSPT23	8"	453	519	600	726	10	15
MLSPT24	10"	585	670	775	938	10	12
MLSPT25	12"	701	804	930	1125	10	10



SEAMLESS PIPE T.BOLT (10mm ROD) (RATE PER PCS.)

Code	Size in Inch	Mat	BA, GPT	Rose Gold	Mat Black	Pcs. Box	Box Crtn
MLSPT31	4"	217	264	323	413	15	20
MLSPT32	6"	303	371	453	580	12	20
MLSPT33	8"	406	496	605	774	12	15
MLSPT34	10"	525	641	783	1002	12	12
MLSPT35	12"	630	768	938	1199	12	10



JOINT LESS

SEAMLESS PIPE T.BOLT (12mm ROD) [RATE PER PCS.]

Code	Size in Inch	Mat	BA, GPT	Rose Gold	Mat Black	Pcs. Box	Box Crtn
MLSPT41	4"	256	298	350	429	12	20
MLSPT42	6"	359	418	490	601	10	20
MLSPT43	8"	480	559	656	805	10	15
MLSPT44	10"	620	722	847	1040	10	12
MLSPT45	12"	744	867	1016	1248	10	10

SEAMLESS PIPE T.BOLT (16mm ROD) [RATE PER PCS.]

Code	Size in Inch	Mat	BA, GPT	Rose Gold	Mat Black	Pcs. Box	Box Crtn
MLSPT51	6"	635	719	823	983	6	20
MLSPT52	8"	850	963	1101	1315	6	15
MLSPT53	10"	1097	1245	1424	1702	6	12
MLSPT54	12"	1317	1493	1708	2041	6	10

ROYAL TOWER BOLT

(12mm ROD) (BRASS KNOB)

[RATE PER PCS.]

Code	Size in Inch	Mat	BA, GPT	Pcs. Box	Box Crtn
MLSPT71	4"	331	355	12	20
MLSPT72	6"	406	438	10	20
MLSPT73	8"	492	533	10	15
MLSPT74	10"	595	647	10	12
MLSPT75	12"	693	755	10	10

MilLENiUM[®]

S.S. Cabinet &
Door Handles





C TYPE



D TYPE



BOAT TYPE



C TYPE



D TYPE



BOAT TYPE



BOAT TYPE



D TYPE



C TYPE

ROUND 8mm (C+D+BOAT) (RATE PER PCS.)

Code	Size in Inch	Mat	T. Ton	Dot	Pcs. Box	Box Crtn
MLSC010	3" (64mm)	35	37	41	60	20
MLSC011	4" (96mm)	41	42	45	50	20
MLSC012	6" (128mm)	55	57	60	40	20
MLSC013	8" (192mm)	74	76	79	30	15

ROUND 10mm (C+D+BOAT) (RATE PER PCS.)

Code	Size in Inch	Mat	T. Ton	Dot	Pcs. Box	Box Crtn
MLSC020	3" (64mm)	40	42	45	50	15
MLSC021	4" (96mm)	50	52	54	40	15
MLSC022	6" (128mm)	67	69	72	30	15
MLSC023	8" (192mm)	89	91	94	20	15
MLSC024	10" (255mm)	111	113	117	20	12
MLSC025	12" (288mm)	130	132	136	20	10

Oval (D+C+Boat) (RATE PER PCS.)

Code	Size in Inch	Mat	T. Ton	Dot	Finish	Pcs. Box	Box Crtn
MLSC070	3" (64mm)	51	53	55	63	40	15
MLSC071	4" (96mm)	67	69	71	84	30	15
MLSC072	6" (128mm)	86	88	89	110	25	15
MLSC073	8" (192mm)	120	122	125	156	20	15
MLSC074	10" (255mm)	158	161	165	208	20	12
MLSC075	12" (288mm)	180	178	181	236	20	10



H - 10mm

H - 10mm

(RATE PER PCS.)

Code	Size in Inch	Mat	T. Ton	Dot	Pcs. Box	Box Crtn
MLSC030	3" (64mm)	60	62	65	40	15
MLSC031	4" (96mm)	75	77	80	30	15
MLSC032	6" (128mm)	89	91	93	25	15
MLSC033	8" (192mm)	111	108	116	20	15
MLSC034	10" (255mm)	135	138	141	20	12
MLSC035	12" (288mm)	154	156	160	20	10

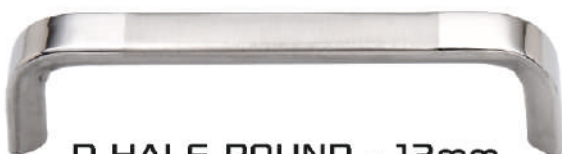


S - 10mm

S - 10mm

(RATE PER PCS.)

Code	Size in Inch	Mat	T. Ton	Dot	Pcs. Box	Box Crtn
MLSC040	3" (64mm)	73	78	83	40	15
MLSC041	4" (96mm)	77	81	86	30	15
MLSC042	6" (128mm)	91	95	100	25	15
MLSC043	8" (192mm)	106	110	115	20	15
MLSC044	10" (255mm)	121	126	131	20	20
MLSC045	12" (288mm)	134	139	143	20	20



D HALF ROUND - 12mm

D HALF ROUND - 12mm

(RATE PER PCS.)

Code	Size in Inch	Mat	T. Ton	Dot	Finish	Pcs. Box	Box Crtn
MLSC050	3" (64mm)	50	52	54	62	40	15
MLSC051	4" (96mm)	65	66	68	80	30	15
MLSC052	6" (128mm)	85	87	90	108	25	15
MLSC053	8" (192mm)	106	108	110	137	20	15
MLSC054	10" (255mm)	130	133	137	170	20	12
MLSC055	12" (288mm)	152	154	158	200	20	10



CADBURY - 12mm
(D + BOAT)

CADBURY - 12mm (D + BOAT)

(RATE PER PCS.)

Code	Size in Inch	Mat	T. Ton	Dot	Finish	Pcs. Box	Box Crtn
MLSC060	3" (64mm)	59	59	63	72	40	15
MLSC061	4" (96mm)	76	76	79	93	30	15
MLSC062	6" (128mm)	100	100	105	126	25	15
MLSC063	8" (192mm)	129	129	133	164	20	15
MLSC064	10" (255mm)	157	157	164	203	20	12
MLSC065	12" (288mm)	182	182	188	236	20	10



OVAL RAJWADI

OVAL RAJWADI (RATE PER PCS.)

Code	Size in Inch	T. Ton	Finish	Pcs. Box	Box Crtn
MLSC100	4" (96mm)	93	110	30	15
MLSC101	6" 128mm)	109	132	25	15
MLSC102	8" (192mm)	142	177	20	15
MLSC103	10" (255mm)	182	231	20	12
MLSC104	12" (288mm)	199	254	20	10



OVAL "C":
(FRONT SCREW)

OVAL "C" (FRONT SCREW) (RATE PER PCS.)

Code	Size in Inch	Mat	T. Ton	Dot	Finish	Pcs. Box	Box Crtn
MLSC080	3" (64mm)	63	64	69	75	40	15
MLSC081	4" (96mm)	74	76	80	92	30	15
MLSC082	6" 128mm)	94	95	101	119	25	15
MLSC083	8" (192mm)	126	128	134	162	20	15
MLSC084	10" (255mm)	165	166	172	215	20	12
MLSC085	12" (288mm)	182	183	189	238	20	10



SQUARE ROUND

SQUARE ROUND (RATE PER PCS.)

Code	Size in Inch	T. Ton	Finish	Pcs. Box	Box Crtn
MLSC090	4" (96mm)	99	122	30	15
MLSC091	6" 128mm)	121	151	25	15
MLSC092	8" (192mm)	155	201	20	15
MLSC093	10" (255mm)	223	289	20	12
MLSC094	12" (288mm)	244	318	20	10

PYRAMID

[RATE PER PCS.]

Code	Size in Inch	T. Ton	Glossy	Finish	Pcs. Box	Box Crtn
MLSC130	4" (96mm)	98	103	121	30	15
MLSC131	6" 128mm)	118	123	149	25	15
MLSC132	8" (192mm)	164	168	212	20	15
MLSC133	10" (255mm)	216	221	283	20	12
MLSC134	12" (288mm)	238	243	313	20	10



PYRAMID

BIG C 16mm

[RATE PER PCS.]

Code	Size in Inch	T. Ton	Glossy	Finish	Pcs. Box	Box Crtn
MLSC110	4" (96mm)	106	108	129	20	15
MLSC111	6" 128mm)	130	131	161	15	15
MLSC112	8" (192mm)	175	177	222	15	15
MLSC113	10" (255mm)	232	234	298	15	12
MLSC114	12" (288mm)	254	255	328	15	10



BIG C 16mm

DHR 16mm

[RATE PER PCS.]

Code	Size in Inch	T. Ton	Glossy	Finish	Pcs. Box	Box Crtn
MLSC120	4" (96mm)	114	115	140	20	15
MLSC121	6" 128mm)	140	141	175	15	15
MLSC122	8" (192mm)	195	196	250	15	15
MLSC123	10" (255mm)	259	260	336	15	12
MLSC124	12" (288mm)	286	288	374	15	10



DHR 16mm

ROLEX / ROLEX RAJWADI

[RATE PER PCS.]

Code	Size in Inch	T. Ton	Finish	Pcs. Box	Box Crtn
MLSC140	4" (96mm)	101	124	30	15
MLSC141	6" 128mm)	119	150	25	15
MLSC142	8" (192mm)	160	208	20	15
MLSC143	10" (255mm)	208	275	20	12
MLSC144	12" (288mm)	227	303	20	10



ROLEX



ROLEX RAJWADI



TELEPHONE 14MM.

TELEPHONE 14MM. (RATE PER PCS.)

Code	Size in Inch	S.S.	Pcs. Box	Box Crtn
MLSH010	6"	377	10	15
MLSH011	8"	438	10	12



GLAMOUR 14MM.

GLAMOUR 14MM. (RATE PER PCS.)

Code	Size in Inch	S.S.	Pcs. Box	Box Crtn
MLSH020	6"	377	10	15
MLSH021	8"	438	10	12



TIKKI - 1 14MM.

TIKKI - 1 14MM. (RATE PER PCS.)

Code	Size in Inch	S.S.	Pcs. Box	Box Crtn
MLSH030	6"	229	10	15
MLSH031	8"	256	10	12



TIKKI - 2 14MM.

TIKKI - 2 14MM. (RATE PER PCS.)

Code	Size in Inch	S.S.	Pcs. Box	Box Crtn
MLSH040	6"	310	10	15
MLSH041	8"	369	10	12



DESIGN - 1



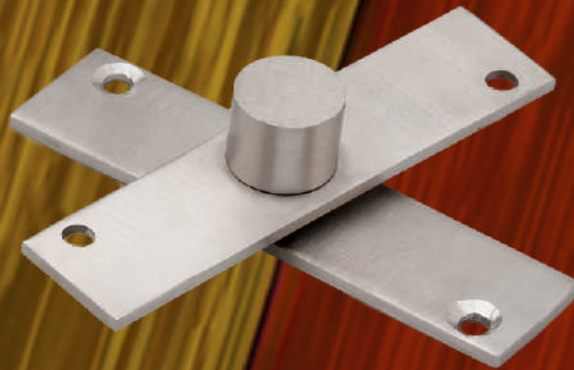
DESIGN - 2

DOOR HANDLE 16MM. (RATE PER PCS.)

Code	Size in Inch	Rate	Finish	Pcs. Box	Box Crtn
MLSHB01	6"	483	533	4	20
MLSHB02	8"	571	632	4	15
MLSHB03	10"	660	731	4	12
MLSHB04	12"	748	829	4	10

MilLennium®

S.S. Door & Window Fittings





GATE HOOK - ROUND PLAIN (RATE PER PCS.)

Code	Size in Inch	Med.	Heavy	Pcs. Box	Box Crtn
MLSW010	2"	-	29	50	20
MLSW011	2 1/2"	-	30	50	20
MLSW012	3"	-	31	50	20
MLSW013	4"	30	32	50	20
MLSW014	5"	31	32	50	20
MLSW015	6"	31	32	50	20
MLSW016	8"	36	38	50	15



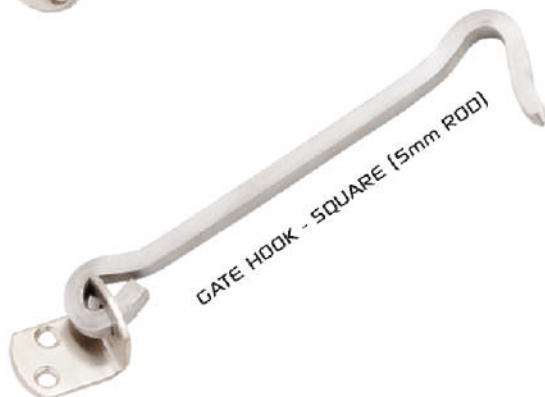
GATE HOOK - ROUND (WITH BRASS CHAPLA) (RATE PER PCS.)

Code	Size in Inch	Med.	Ant., S.L.	Pcs. Box	Box Crtn
MLSW020	2"	79	85	50	20
MLSW021	2 1/2"	80	86	50	20
MLSW022	3"	81	88	50	20
MLSW023	4"	84	91	40	20
MLSW024	5"	86	94	30	20
MLSW025	6"	89	98	30	20
MLSW026	8"	99	110	30	15



GATE HOOK - FANCY (WITH BRASS BODIYA) (RATE PER PCS.)

Code	Size in Inch	Med.	Ant., S.L.	Pcs. Box	Box Crtn
MLSW030	2"	143	156	50	20
MLSW031	2 1/2"	149	162	50	20
MLSW032	3"	155	169	50	20
MLSW033	4"	167	182	40	20
MLSW034	5"	169	185	30	20
MLSW035	6"	175	191	30	20
MLSW036	8"	214	234	30	15



GATE HOOK - SQUARE (5mm ROD) (RATE PER PCS.)

Code	Size in Inch	Med.	Pcs. Box	Box Crtn
MLSW040	4"	47	40	20
MLSW041	5"	47	30	20
MLSW042	6"	52	30	20



DOOR STOP ROUND

DOOR STOP ROUND (RATE PER PCS.)

Code	Type	Rate	Pcs. Box	Box Crtn
MLSW050	Single	72	15	20
MLSW051	Double	115	12	15



DOOR STOP SQUARE

DOOR STOP SQUARE (RATE PER PCS.)

Code	Type	Rate	Pcs. Box	Box Crtn
MLSW060	Single	119	15	2015
MLSW061	Double	175	12	



3/4" (Med.)

1" (Med.)

2 Pcs (Hy.)

Matki

Embose

Radius

CONCEAL PIPE SOCKET (RATE PER PAIR.)

Code	Size in Inch	Per Pair	Pair Box	Box Crtn
MLSW070	3/4" (Med)	53	12	120
MLSW071	1" (Med)	62	12	100
MLSW072	2 Pcs 1x1 (Hy)	129	20	20
MLSW073	1" Matki	156	12	20
MLSW074	1" Embose	156	12	20
MLSW075	1" Radius	227	12	20



BEND PIPE SOCKET 1.2mm

BEND PIPE SOCKET 1.2mm (RATE PER PAIR.)

Code	Size in Inch	Per Pair	Pair Box	Box Crtn
MLSW080	3/4 x 2	119	15	40
MLSW081	3/4 x 3	172	10	40
MLSW082	3/4 x 4	181	10	30
MLSW083	1 x 2	153	10	40
MLSW084	1 x 3	181	10	40
MLSW085	1 x 4	191	10	30



BEND PIPE SOCKET 3mm



STRAIGHT PIPE SOCKET 1.2mm



Plain



Deluxe



Dolphin



SINGLE



DOUBLE

BEND PIPE SOCKET 3mm (RATE PER PAIR.)

Code	Size in Inch	Per Pair	Pair Box	Box Crtn
MLSW090	3/4 x 2	167	20	20
MLSW091	3/4 x 3	196	10	20
MLSW092	3/4 x 4	224	10	20
MLSW093	3/4 x 5	275	10	12
MLSW094	3/4 x 6	306	10	10
MLSW095	1 x 2	186	10	20
MLSW096	1 x 3	215	10	20
MLSW097	1 x 4	243	10	20
MLSW098	1 x 5	296	10	12
MLSW099	1 x 6	327	10	10

STRAIGHT PIPE SOCKET 1.2mm (RATE PER PAIR.)

Code	Size in Inch	Per Pair	Pair Box	Box Crtn
MLSW100	1/2"	61	24	40
MLSW101	3/4"	118	18	40
MLSW102	1"	133	18	40

BENZO KADI

(RATE PER PAIR.)

Code	Size in Inch	Per Pair	Pair Box	Box Crtn
MLSW110	Plain 3"	64	30	20
MLSW111	Delux 3"	64	30	20
MLSW112	Dolphin 3"	72	30	20
MLSW113	Dolphin 4"	91	20	20
MLSW114	Dolphin Heavy	91	20	20

J HOOK SINGLE / DOUBLE (RATE PER PAIR.)

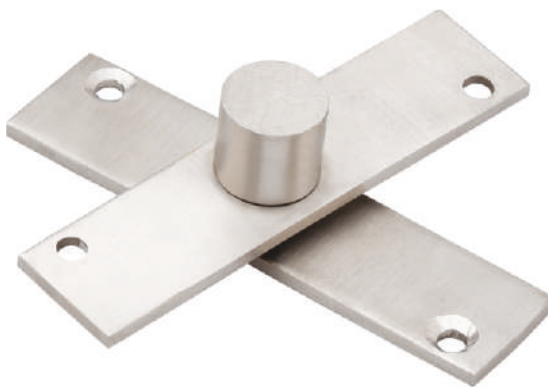
Code	Size in Inch	Per Pair	Pair Box	Box Crtn
MLSW120	Single	21	100	20
MLSW120	Double	59	100	20



DISPLAY HOOK

DISPLAY HOOK (RATE PER PCS.)

Code	Size in Inch	Med.	Heavy	Pcs. Box	Box Crtn
MLSW130	4"	37	44	40	40
MLSW131	6"	41	52	30	40
MLSW132	8"	45	62	30	30
MLSW133	10"	52	74	30	24
MLSW134	12"	57	84	30	20



BEARING PIVOT

BEARING PIVOT (RATE PER PCS.)

Code	Size in Inch	Mat	Pcs. Box	Box Crtn
MLSW140	3 x 3/4	167	20	20
MLSW141	4 x 3/4	196	20	20
MLSW142	5 x 3/4	231	20	20
MLSW143	3 x 1	172	20	20
MLSW144	4 x 1	200	20	20
MLSW145	5 x 1	236	20	20



2 PCS. WINDOW (RATE PER PCS.)

Code	Size in Inch	Mat	Finish	Black Mat	Pcs. Box	Box Crtn
MLSW150	Standard	229	251	273	20	20
MLSW151	Sliding	358	386	415	20	20



2 PCS. WINDOW



KITCHEN JALI

KITCHEN JALI [RATE PER PCS.]

Code	Size in Inch	Rate Per Pcs.	Pcs. Box	Box Crtn
MLSW160	4 x 4	81	40	12
MLSW161	4 x 6	110	36	12
MLSW162	4 x 8	143	28	12
MLSW163	4 x 10	182	20	12
MLSW164	4 x 12	192	20	12
MLSW165	6 x 6	172	30	8
MLSW166	6 x 8	207	25	8
MLSW167	6 x 10	255	15	12
MLSW168	6 x 12	291	15	12
MLSW169	8 x 8	416	8	20
MLSW16A	8 x 10	509	4	24
MLSW16B	8 x 12	603	4	24



WHITE



WENGI

KITCHEN JALI FANCY

KITCHEN JALI FANCY [RATE PER PCS.]

Code	Size in Inch	Rate Per Pcs.	Pcs. Box	Box Crtn
MLSW170	4 x 6	128	30	12
MLSW171	4 x 8	158	24	12



TABLE CHAIN

TABLE CHAIN [RATE PER PCS.]

Code	Size in Inch	Med.	Heavy	Pair Box	Box Crtn
MLSW180	6"	21	37	100	20
MLSW181	8"	28	49	100	15
MLSW182	10"	34	62	100	12
MLSW183	12"	41	74	100	10



SQUARE KADI

SQUARE KADI [RATE PER PCS.]

Code	Size in Inch	Rate C.P.	Pcs. Box	Box Crtn
MLSW200	3"	131	30	20
MLSW201	4"	165	20	20



L - CORNER

L - CORNER [RATE PER PCS.]

Code	Size in Inch	Rate Per Pcs.	Pcs. Box	Box Crtn
MLSW190	1"	21	100	30
MLSW191	1.1/2"	26	100	30
MLSW192	2"	31	60	24
MLSW193	2.1/2"	36	60	20
MLSW194	3"	47	60	20
MLSW195	4"	65	60	20
MLSW196	5"	81	60	20
MLSW197	6"	96	60	20



TIE ROD

TIE ROD [RATE PER PCS.]

Code	Size in Inch	Rate C.P.	Pcs. Box	Box Crtn
MLSW210	9"	172	20	20
MLSW211	12"	200	20	20
MLSW212	15"	229	10	20
MLSW213	18"	276	10	20
MLSW214	24"	335	10	20

MilLennium[®]

S.S. Glass Fittings & Knobs





"D"- BRACKET

"D"- BRACKET

(RATE PER PCS.)

Code	Size in Inch	Med.	Heavy	Medium		Heavy	
				Pcs. Box	Box Crtn	Pcs. Box	Box Crtn
MLSG010	1 1/2 x 8mm	15	-	96	20	-	-
MLSG011	1 1/2 x 12mm	15	-	96	20	-	-
MLSG012	2 x 6mm	33	73	60	20	48	20
MLSG013	2 x 8mm	32	70	60	20	48	20
MLSG014	2 x 10mm	33	73	48	20	36	20
MLSG015	2 x 12mm	32	70	48	20	36	20



SQUARE BRACKET

SQUARE BRACKET

(RATE PER PCS.)

Code	Size in Inch	Med.	Heavy	Medium		Heavy	
				Pcs. Box	Box Crtn	Pcs. Box	Box Crtn
MLSG020	2 x 6mm	24	38	72	20	60	-
MLSG021	2 x 8mm	24	38	72	20	60	-
MLSG022	2 x 12mm	24	38	60	20	48	20



SQUARE FOLDING BRACKET

SQUARE FOLDING BRACKET

(RATE PER PCS.)

Code	Size in Inch	Med.	Heavy	Pcs. Box	Box Crtn
MLSG031	1.1/2 x 1.1/2 x 8mm + 12mm	103	119	48	20
MLSG032	2 x 1 x 8mm + 12mm	103	119	36	20
MLSG033	2 x 1.1/4 x 8mm + 12mm	107	125	36	20
MLSG034	2 x 1.1/2 x 8mm + 12mm	116	123	32	20
MLSG035	2 x 2 x 8mm + 12mm	131	145	24	20
MLSG036	3 x 1.1/2 x 8mm + 12mm	162	177	20	20
MLSG037	3 x 2 x 8mm + 12mm	184	191	15	20
MLSG038	4 x 1.1/2 x 8mm + 12mm	255	271	10	20
MLSG039	4 x 2 x 8mm + 12mm	260	276	10	20



"F" BRACKET CAPSULE

"F" BRACKET CAPSULE

(RATE PER PCS.)

Code	Size in Inch	Mat	Pcs. Box	Box Crtn
MLSG041	6 x 8mm + 12mm	120	16	20
MLSG042	8 x 8mm + 12mm	136	16	15
MLSG043	10 x 8mm + 12mm	154	16	12
MLSG044	12 x 8mm + 12mm	171	16	10

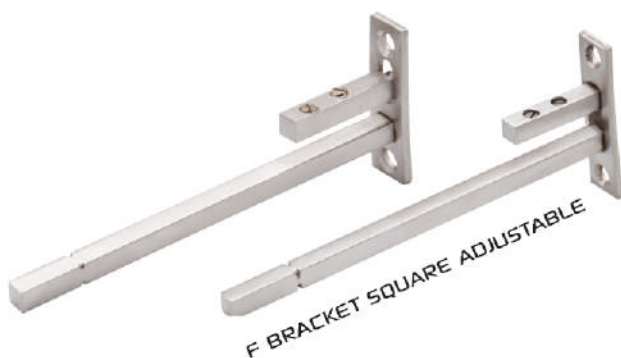
"F BRACKET - SQUARE

(RATE PER PCS.)



"F BRACKET - SQUARE

Code	Size in Inch	Light	Med	Heavy	Light		Med.		Heavy	
					Pcs. Box	Box Crtn	Pcs. Box	Box Crtn	Pcs. Box	Box Crtn
MLSG050	3 x 8mm + 12mm	0	86	0	-	-	32	20	-	-
MLSG051	4 x 8mm + 12mm	65	89	125	24	20	24	20	20	20
MLSG052	6 x 8mm + 12mm	86	114	144	24	20	16	20	16	20
MLSG053	8 x 8mm + 12mm	111	134	166	24	15	16	15	16	15
MLSG054	10 x 8mm + 12mm	130	145	188	24	12	16	12	16	12
MLSG055	12 x 8mm + 12mm	151	164	215	24	10	16	10	16	10



F BRACKET SQUARE ADJUSTABLE

F BRACKET SQUARE ADJUSTABLE

(RATE PER PCS.)

Code	Size in Inch	Med	Heavy	Med.		Heavy	
				Pcs. Box	Box Crtn	Pcs. Box	Box Crtn
MLSG060	4 "	109	136	24	20	20	20
MLSG061	6 "	122	159	16	20	16	20
MLSG062	8 "	141	188	16	15	16	15
MLSG063	10"	155	212	16	12	16	12
MLSG064	12"	169	238	16	10	16	10



STUDD

STUDD

(RATE PER PCS.)

Code	Size in Inch	Mat	Pcs. Box	Box Crtn
MLSG070	12x12	34	72	15
MLSG071	12x19	39	60	15
MLSG072	12x25	44	50	15
MLSG073	19x12	54	60	15
MLSG074	19x19	55	48	15
MLSG075	19x25	60 + 31/Inch	40	15
MLSG076	25x12	85	50	15
MLSG077	25x19	87	40	15
MLSG078	25x1" upto 12"	87 + 42/Inch	30	15



HOLLOW STUDD

HOLLOW STUDD

(RATE PER PCS.)

Code	Size in Inch	Mat	Pcs. Box	Box Crtn
MLSG080	38 x 2"	227	20	20
MLSG081	38 x 3"	234 + 34/Inch	20	20



LASER STUDD

LASER STUDD (RATE PER PCS.)

Code	Size in Inch	Mat	Pcs. Box	Box Crtn
MLSG090	38 x 2"	182	20	20
MLSG091	38 x 3"	191 + 34/Inch	20	20



STAR



CRYSTAL

MIRROR BRACKET (RATE PER PCS.)

Code	Size in Inch	Star	Crystal	Star		Crystal	
				Pcs. Box	Box Crtn	Pcs. Box	Box Crtn
MLSG110	6 m m (C u t t)	35	59	60	40	36	40
MLSG111	6mm (Cutt) Heavy	49	0	60	40	36	40
MLSG112	6 m m (F u l l)	56	75	60	40	36	40
MLSG113	8 m m (C u t t)	49	73	60	40	36	40
MLSG114	8 m m (F u l l)	67	87	60	40	36	40



UNIVERSAL BRACKET

UNIVERSAL BRACKET (RATE PER PCS.)

Code	Size in Inch	CP	Pcs. Box	Box Crtn
MLSG120	3/4"	80	18	40
MLSG121	1"	80	18	40



SQUARE GLASS PIVOT

SQUARE GLASS PIVOT (RATE PER PCS.)

Code	Size in Inch	Mat	Pcs. Box	Box Crtn
MLSG0130	2 x 6mm	36	72	40
MLSG0131	2 x 8mm	36	72	40
MLSG0132	2 x 12mm	36	60	40



CRYSTAL



STAR

MIRROR CAP (RATE PER PCS.)

Code	Size in Inch	Star	Crystal	Star		Crystal	
				Pcs. Box	Box Crtn	Pcs. Box	Box Crtn
MLSG140	1/2 "	10	24	150	-	150	100
MLSG141	3/4 "	12	32	80	-	80	100
MLSG142	1 "	17	37	60	-	60	100
MLSG143	1 1/4 "	49	0	24	-	24	50
MLSG144	1 1/2 "	59	0	24	-	24	50
MLSG145	2 "	84	0	24	-	24	50



L - CONNECTOR

L - CONNECTOR

(RATE PER PCS.)

Code	Size in Inch	Mat	Pcs. Box	Pcs. Box	Box Crtn
MLSG150	90 Degree	148	151	15	20



S.L. BRACKET

S.L. BRACKET

(RATE PER PCS.)

Code	Size in Inch	T.Ton	Pcs. Box	Box Crtn
MLSG100	6" x 8 + 12mm	382	3	40
MLSG101	8" x 8 + 12mm	429	3	30
MLSG102	10" x 8 + 12mm	477	3	25
MLSG103	12" x 8 + 12mm	525	3	20
MLSG104	15" x 8 + 12mm	690	3	20



M.S. MIRROR SCREW (WITH BRASS CAP)

M.S. MIRROR SCREW (WITH BRASS CAP)

(RATE PER GROSS)

Code	Size in Inch	Per Groos	Pcs. Box	Box Crtn
MLSG160	1/2 "	697	1	-
MLSG161	3/4 "	697	1	-
MLSG162	1 "	720	1	-
MLSG163	1 1/4"	744	1	-
MLSG164	1 1/2"	768	1	-
MLSG165	2 "	864	1	-
MLSG166	2 1/2"	959	1	-
MLSG167	3 "	1055	1	-



M.S. MACHINE SCREW

M.S. MACHINE SCREW

(RATE PER KG.)

Code	Size in Inch	Per Kg.	Pcs. Box	Box Crtn
MLSG170	22mm	531	1	50-55
MLSG171	25mm	531	1	50-55
MLSG172	28mm	531	1	50-55
MLSG173	32mm	531	1	50-55
MLSG174	38mm	531	1	50-55
MLSG175	50mm	531	1	50-55



MATKA

MATKA

(RATE PER PCS.)

Code	Size in Inch	Mat	Pcs. Box	Box Crtn
MLSK010	25mm	74	50	20
MLSK011	30mm	84	50	20



"L" TYPE

"L" TYPE

(RATE PER PCS.)

Code	Size in Inch	Mat	Pcs. Box	Box Crtn
MLSK020	1"	76	50	20
MLSK021	2"	136	30	20
MLSK022	3"	196	20	20



BUTTON

BUTTON

(RATE PER PCS.)

Code	Size in Inch	Mat	Pcs. Box	Box Crtn
MLSK030	25mm	67	50	20
MLSK031	30mm	74	50	20



MAHROOM

MAHROOM

(RATE PER PCS.)

Code	Size in Inch	Mat	Pcs. Box	Box Crtn
MLSK040	25mm	72	50	20
MLSK041	30mm	79	50	20



THUMB

THUMB

(RATE PER PCS.)

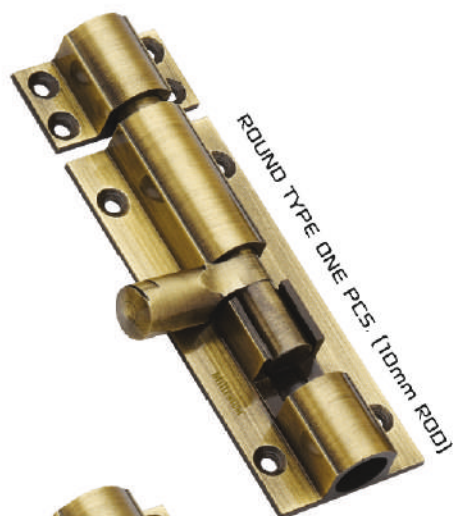
Code	Size in Inch	Mat	Pcs. Box	Box Crtn
MLSK050	19mm	60	50	20
MLSK051	23mm	76	50	20

Millenium
Alluminium

MILLENNIUM®

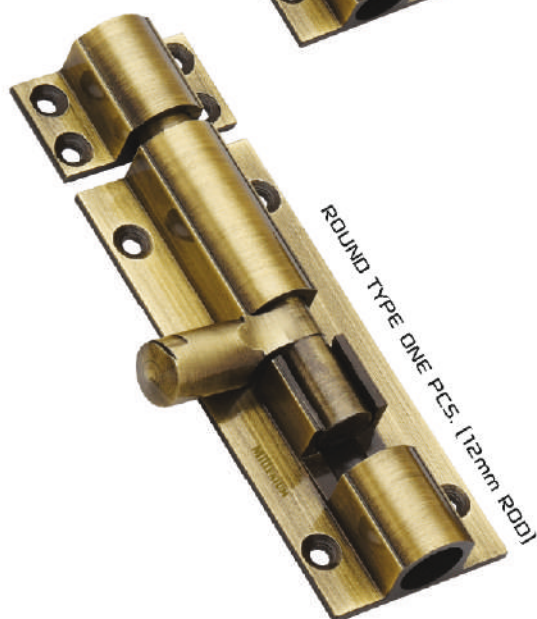
Millenium Alluminium





ROUND TYPE ONE PCS. (10mm ROD) [RATE PER PCS.]

Code	Size in Inch	SSF	B.A., R.G.	Black Mat	Pcs. Box	Box Crtn
MLAT010	4"	180	199	249	15	20
MLAT011	6"	270	298	374	12	20
MLAT012	8"	372	410	515	12	15
MLAT013	10"	480	529	665	12	12
MLAT014	12"	576	635	798	12	10
MLAT015	15"	720	794	997	3	10
MLAT016	18"	864	953	1197	3	10
MLAT017	24"	1162	1281	1606	2	10



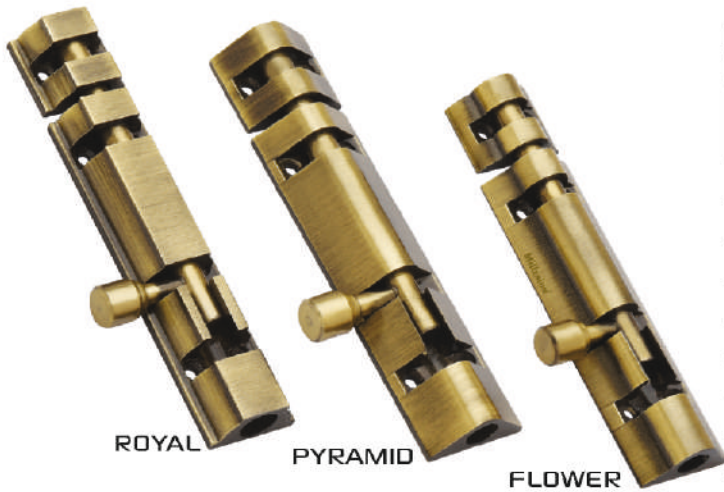
ROUND TYPE ONE PCS. (12mm ROD) [RATE PER PCS.]

Code	Size in Inch	SSF	B.A., R.G.	Black Mat	Pcs. Box	Box Crtn
MLAT010	4"	199	217	268	12	20
MLAT011	6"	298	326	402	8	20
MLAT012	8"	410	449	553	8	15
MLAT013	10"	529	579	714	8	12
MLAT014	12"	635	694	857	8	10
MLAT015	15"	794	868	1071	3	10
MLAT016	18"	953	1042	1286	3	10
MLAT017	24"	1271	1374	1714	2	10



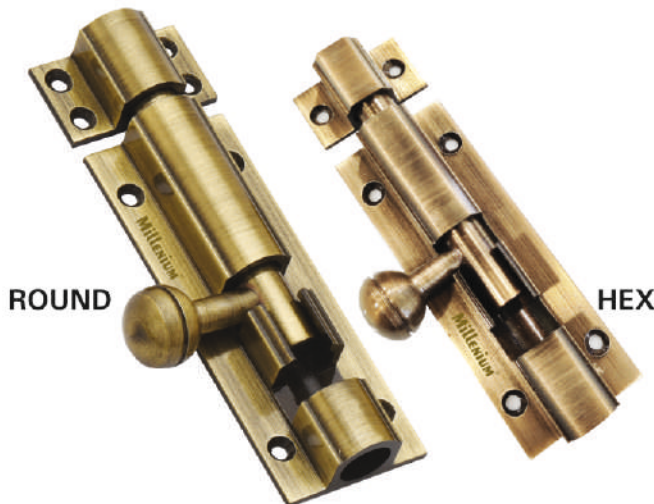
FANCY TOWER BOLTS (10mm ROD) [RATE PER PCS.]

Code	Size in Inch	SSF	B.A., R.G.	Black Mat	Pcs. Box	Box Crtn
MLAT030	4"	162	180	231	15	20
MLAT031	6"	231	259	335	12	20
MLAT032	8"	310	348	453	12	15
MLAT033	10"	394	443	579	12	12
MLAT034	12"	468	527	690	12	10
MLAT035	15"	610	673	856	3	10
MLAT036	18"	727	821	1022	3	10
MLAT037	24"	961	1086	1354	3	10



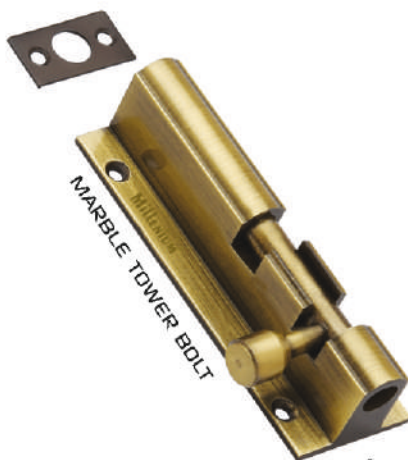
FANCY TOWER BOLTS (10mm ROD) [RATE PER PCS.]

Code	Size in Inch	SSF	B.A., R.G.	Black Mat	Pcs. Box	Box Crtn
MLAT030	4"	162	180	231	15	20
MLAT031	6"	231	259	335	12	20
MLAT032	8"	310	348	453	12	15
MLAT033	10"	394	443	579	12	12
MLAT034	12"	468	527	690	12	10
MLAT035	15"	610	673	856	3	10
MLAT036	18"	727	821	1022	3	10
MLAT037	24"	961	1086	1354	3	10



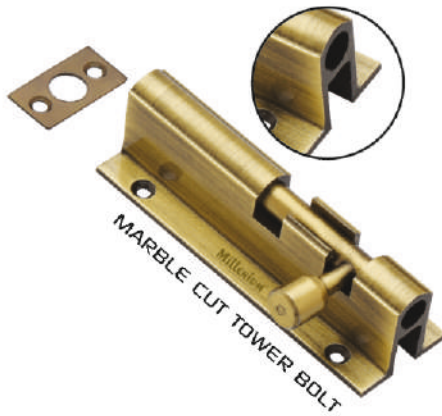
ROUND TYPE & HEX TYPE 2 PCS (12mm ROD) [RATE PER PCS.]

Code	Size in Inch	SSF	B.A., R.G.	Black Mat	Pcs. Box	Box Crtn
MLAT040	4"	203	222	272	12	20
MLAT041	6"	286	314	390	8	20
MLAT042	8"	382	420	525	8	15
MLAT043	10"	483	532	667	8	12
MLAT044	12"	562	621	783	8	10
MLAT045	15"	743	805	981	3	10
MLAT046	18"	883	977	1170	3	10
MLAT047	24"	1164	1288	1547	3	10



MARBLE TOWER BOLT [RATE PER PCS.]

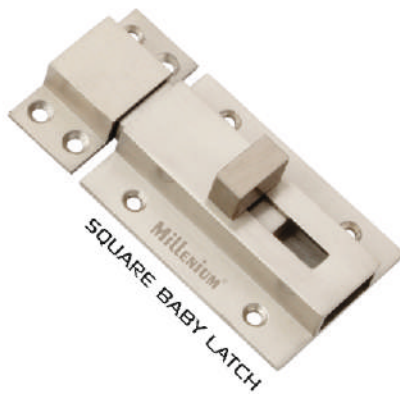
Code	Size in Inch	SSF	B.A., R.G.	Black Mat	Pcs. Box	Box Crtn
MLAT050	4"	194	212	263	12	20
MLAT051	6"	277	305	381	8	20
MLAT052	8"	372	410	515	8	15
MLAT053	10"	473	522	658	8	12
MLAT054	12"	562	621	783	8	10
MLAT055	15"	732	795	972	2	10
MLAT056	18"	873	966	1160	2	10
MLAT057	24"	1153	1278	1537	2	10



MARBLE CUT TOWER BOLT

[RATE PER PCS.]

Code	Size in Inch	SSF	B.A., R.G.	Black Mat	Pcs. Box	Box Crtn
MLAT060	4"	181	180	231	12	20
MLAT061	6"	262	259	335	8	20
MLAT062	8"	344	348	453	8	15
MLAT063	10"	438	443	579	8	12
MLAT064	12"	522	527	690	8	10
MLAT065	15"	683	673	856	2	10
MLAT066	18"	816	821	1022	2	10
MLAT067	24"	1081	1086	1354	2	10



SQUARE BABY LATCH

[RATE PER PCS.]

Code	Size in Inch	SSF	B.A., R.G.	Black Mat	Pcs. Box	Box Crtn
MLAT080	3"	239	245	283	10	20
MLAT081	4"	286	305	346	10	15



CAM BOLT

CAM BOLT

[RATE PER PAIR]

Code	Size in Inch	SSF	B.A., R.G.	Black Mat	Pcs. Box	Box Crtn
MLAT090	3"	315	344	357	10	30



"L" BAT

"L" BAT

[RATE PER PCS.]

Code	Size in Inch	SSF	Pcs. Box	Box Crtn
MLAG010	3/4"	13	200	30
MLAG011	1"	18	150	30



CAP - DIAMOND

CAP - DIAMOND

(RATE PER PCS.)

Code	Size in Inch	SSF	Pcs. Box	Box Crtn
MLAG020	1/2" (12mm)	16	100	100
MLAG021	3/4" (19mm)	19	80	100
MLAG022	1" (25mm)	21	60	80



STAR



CRYSTAL

MIRROR BRACKET

(RATE PER PCS.)

Code	Size in Inch	Star	Diamond	Pcs. Box	Box Crtn
MLAG030	6mm (Half)	23	32	100	100
MLAG031	8mm (Half)	27	37	80	100
MLAG032	6mm (Full)	29	38	60	80



CENTER SUPPORT

CENTER SUPPORT

(RATE PER PCS.)

Code	Size in Inch	SSF	Pair Box	Box Crtn
MLAG040	Single	277	12	24



KHUTTI

KHUTTI

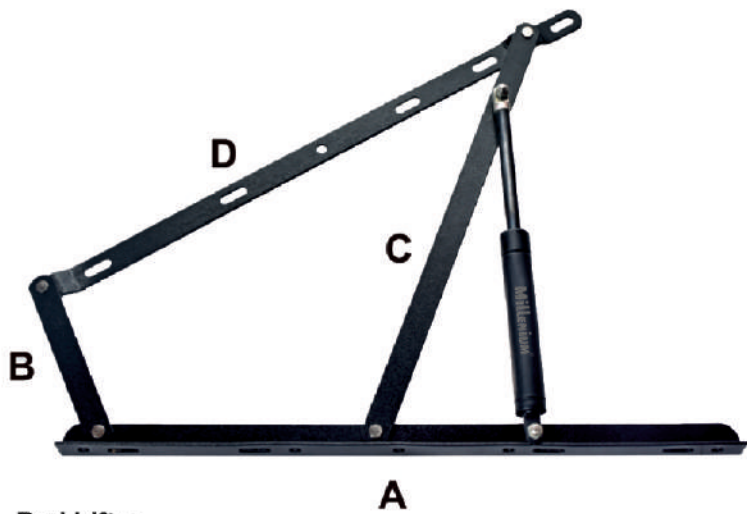
(RATE PER HOOK)

Code	Size in Inch	CP	Finish	Pcs. Box
MLAG050	S Type	74	94	8
MLAG051	U Type	67	79	8
MLAG052	C Type	67	79	8



GLASS DOOR HANDLE [RATE PER PCS.]

Code	Size in Inch	Round	Diamond	Pcs. Box
MLAG060	96mm	623	452	2
MLAG061	128mm	701	597	2
MLAG062	160mm	911	788	2
MLAG063	200mm	2955	1970	2
MLAG064	300mm	5455	4052	2
MLAG065	700mm	28052	25455	2



Bed Lifter

Size: 24"

Load Capacity: 125kg

Material: Mild Steel

Finish: After cleaning powder

Package: 1 set/case (including screws)

BED LIFTER (EXTRA HEAVY) (5mm) [RATE PER SET]

Code	Size in Inch	Finish	Pair Box	Pcs. Box
MLAG070	3 Feet	3636	1	5
MLAG071	4 Feet	3896	1	5
MLAG072	5 Feet	4156	1	5

GAS PUMP

[RATE PER SET]

Code	Size in Inch	Finish	Pair Box	Pcs. Box
MLAG080	17"	1766	1	10

45mm Telescopic Drawer Slide Premium

Material: Cold-rolled shanghai steel

Finish: Zinc Plated

Max Load: 45KG/18"

Dimension: 10" 12" 14" 16" 18" 20" 22" 24" 30" 36"

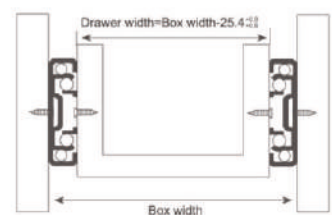
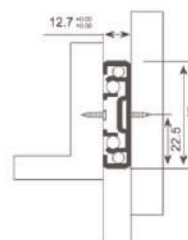
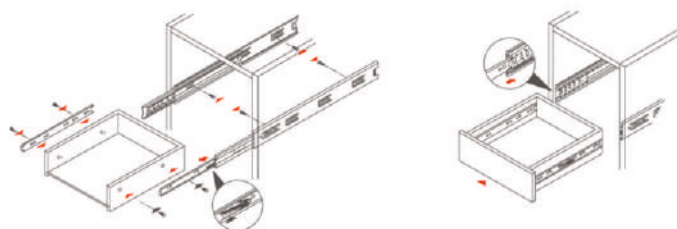
Available Sizes: 10" to 24"

Features: High quality cold-rolled steel

Hi-tech electroplating technology of rust resistance

International advanced spay-paint technology

High precision steel ball assembling for smooth and silent rolling



Terms & Conditions

1. All Taxes are included in the Price-List.
2. Prices are subject to changes as per market fluctuations.
3. We are not responsible for any damage & shortage of products in transit.
4. Goods once sold will not be taken back or exchanged.
5. Any disputes or conflicts will be subject to Jamnagar Jurisdictions only.
6. Discount will be given as per payment terms & consistency.

Millemium®

✉ millenium.exim@gmail.com

📍 SHED NO. 132/142/143 A,
G.I.D.C. PHASE II, DARED
JAMNAGAR - 361004 (Guj.) India.